

## Champion Bodies

### 96012471 CHAMPION 1K HST E40 WI>15M

E40	1000W HST	IK08	IP66	
-----	-----------	------	------	---

#### Champion

A high performance 0° tilt asymmetrical floodlight with IP66 optical and gear compartment, SC1 class. Unpainted die-cast aluminium body with Flat Glass enclosure. Luminaire fixed by single bolt through Ø22mm central hole, or twins bolts through Ø15mm holes at 100mm centres. asymmetrical floodlighting distribution with a aluminium - bright anodised reflector side flanges in satinbrite. Floodlight suitable for a 1000 HST lamp. Ideal for sports field and stadium lighting. Floodlight supplied gearless (please order the gear separately). Version with ignitor (when distance between gear and floodlight is higher than 15m).

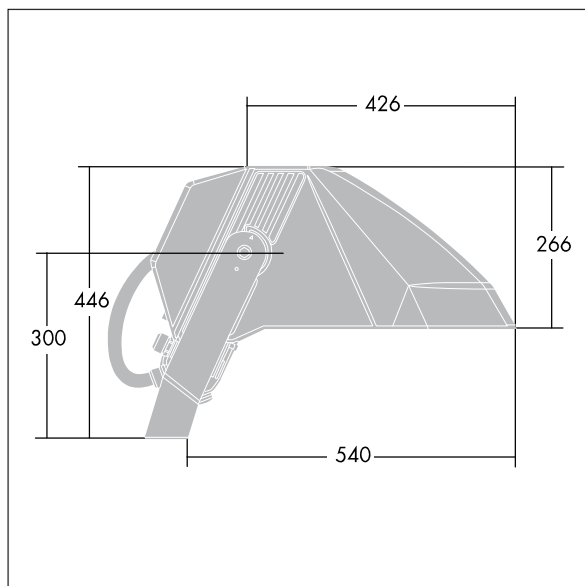
Dimensions : 598 x 720 x 448 mm

Weight: 21.3 kg

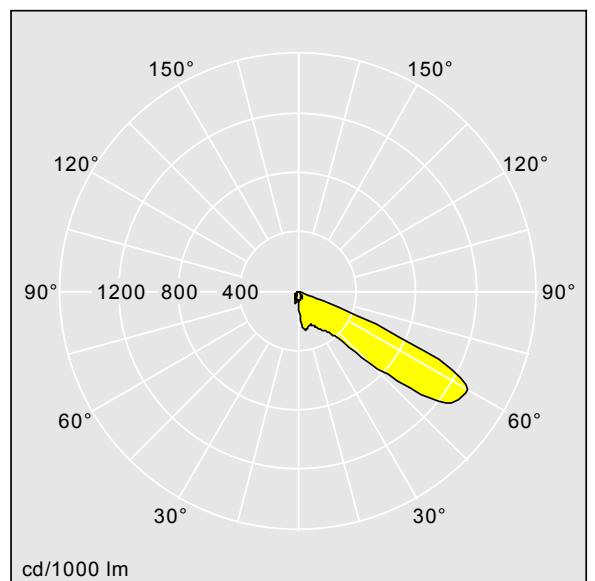
Windage:0,21m²



TLG\_CHMP\_P\_PR4.jpg



TLG\_CHMP\_M\_SV1.wmf



TLG\_LA\_CHP2AZ.ltd

Lamp position:V4  
 Lamp:HST 1000W  
 LOR: 0,76 ULOR: 0,00 DLOR: 0,76