

96231244 ORUS 35W HIT DGE CL1 MFX ROAD

G12	35W HIT G12	IK10	IP66		
-----	-------------	------	------	---	---

A new road lighting luminaire with a special bi-directional optic, resulting in a unique light distribution; excellent uniformity with no glare; low energy and above all a mounting height of 0.9m

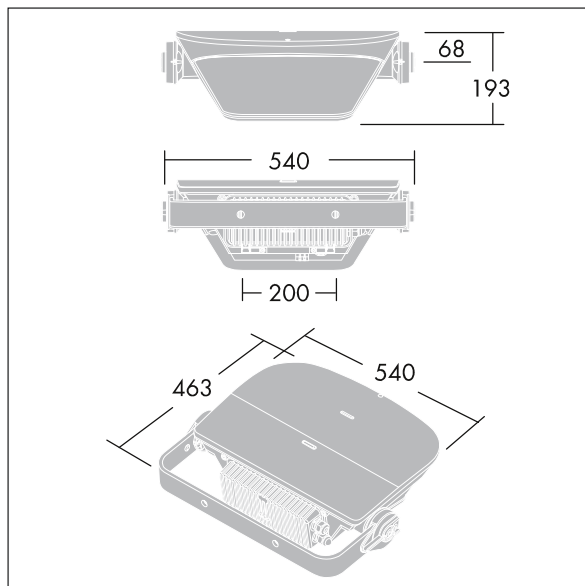
An innovative, class I electrical, stirrup mounted road lighting luminaire for 1 x 35W HIT-CE lamp, incorporating Flat Beam® technology. In die-cast aluminium with UV stabilised polycarbonate enclosure protected against graffiti and with extra scratch resistant treatment. Luminaire equipped with road optic directing light entirely onto the road and reaching lighting standards at 0.9m mounting height. Sealed to IP66 with unique lighting distribution.

Due to the unique calculation requirements of this product the photometric data is not provided here but design advice may be obtained from your local representative.

Dimensions : 540 x 463 x 193 mm
 Weight: 8.8 kg
 Total power : 44 W
 Windage: 0.062 m²



TLG_ORUS_F_P1.jpg



TLG_ORUS_M_LD1c.wmf

Lamp position:STD - standard
 Lamp:HIT G12 35W