

## Complete fittings

### 96250146 ORACLE 1W 150W HST DGE CL1 EFL

E40	150W HST-MF	EN 60598	IK08	IP66			
-----	-------------	-------------	------	------	--	--	--

#### High performance street and road lighting in a timeless design

Oracle 1 is a road lighting lantern with IP66 optical and gear compartment, SC1 class, suitable for a wide range of different applications. Its light grey aluminium body, flat glass enclosure, and high quality materials ensure durability and recyclability.

The luminaire can be side entry (up to 60mm) and post-top (up to 76mm) mounted through an integral rotating spigot and it can be fixed with 2 screws and bolts to secure the initial position.

The optibloc system with wide concept for 150W HST-MF lamp and equipped with a electronic - fixed output ballast delivers uniform lighting distribution precisely where it is needed according to the application and lighting standards (EN 13201).

Oracle resolves the major issue of the Energy resources and offers the perfect solution reducing the Energy costs:

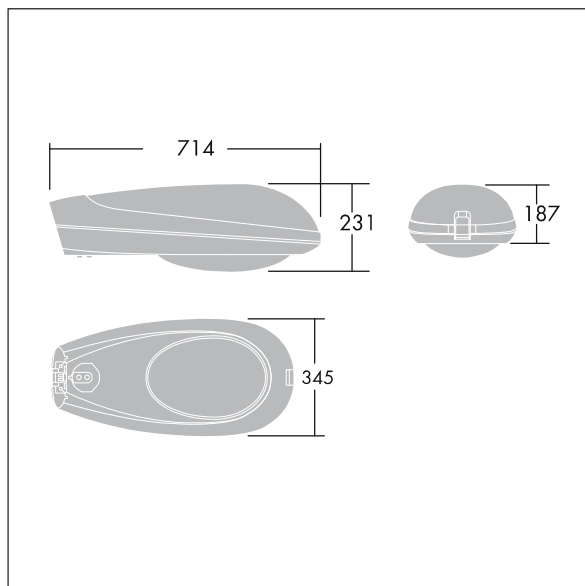
Dimensions : 714 x 345 x 187 mm

Weight: 12 kg

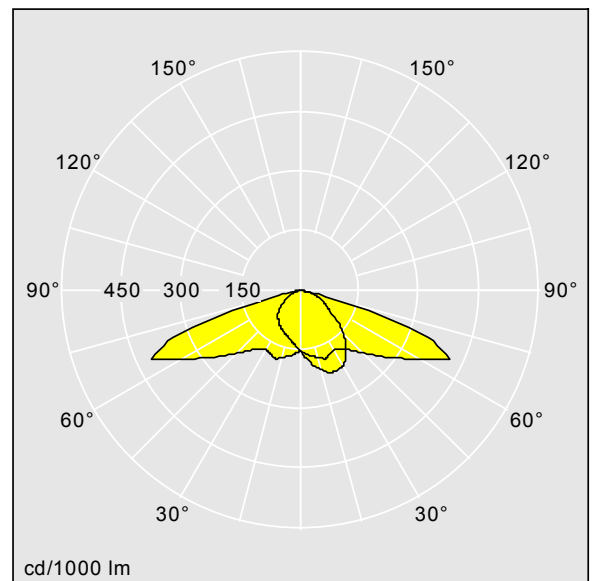
Windage:0,07m<sup>2</sup>



TLG\_ORCL\_F\_15.jpg



TLG\_ORCL\_M\_LD1.wmf



TLG\_LA\_OJC44A.ltd

Lamp position:V4L4

Lamp:HST-MF 150W

LOR: 0,71 ULOR: 0,00 DLOR: 0,71